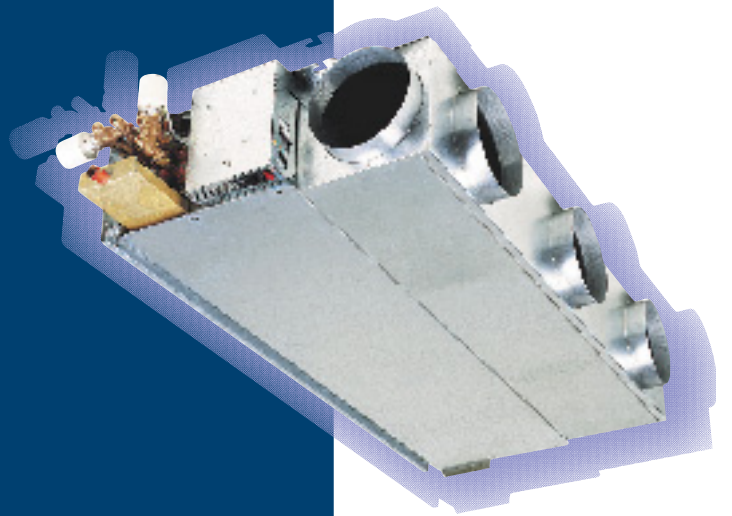
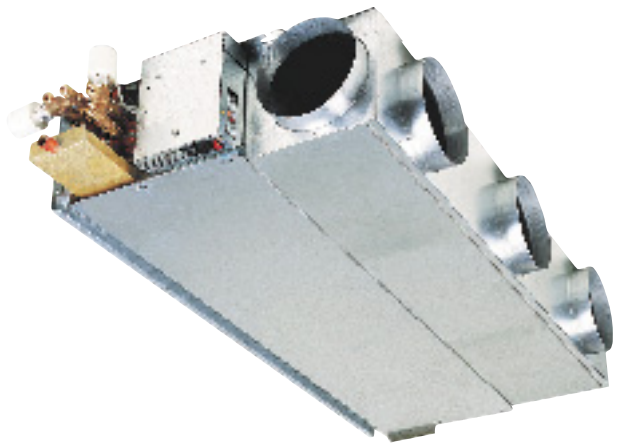


PRODUCT CATALOGUE



PROVIDING **GLOBAL SYSTEM** SOLUTIONS

HIGH STATIC
UNCASED
FAN COIL UNIT
QUANTUM LC



■ INTRODUCTION TO THE RANGE

The Quantum LC is a "high-pressure fan coil" for conditioning, filtering and fresh air supply. It can be fitted in a false ceiling or in a raised floor. It can therefore be maintained outside the conditioned areas, by means of hinged panels which facilitate access to the filter and fan. Its distinctive feature is the small overall size and the presence of an electrical control system allowing up to 27 different fan speeds.

The Quantum LC is available in the following versions:

- **LC xx 3C** with three-sets of cooling coils (resistance heater optional)
- **LC xx 4C** with four-sets of cooling coils (resistance heater optional)
- **LC xx 3C/1H** with three-sets of cooling coils and one set of heating coils
- **LC xx 4C/1H** with four-sets of cooling coils and one set of heating coils



■ CONSTRUCTION

- Dynamically balanced high-pressure turbine fan with floating mounting, giving significant vibration reduction. This consists of:
 - A double turbine fan
 - Motor with thermal cut-out

The assembly can easily be removed through a hinged hatch and can be dynamically balanced according to the VDI2060 standard.

- Cabinet made from 12/10th galvanized sheet covered with class MO thermal and acoustic insulation
- Condensate tray with regular slope, with 3 mm external class MO insulation
- Washable EU2 filter, accessible via slide-out unit
- Chilled water coils (3 or 4 sets) and hot water coils (1 set) tested to 25 bars and provided with drain point
- Electrical heater
- Distribution plenum with MO insulation
- Electrical control equipment:
 - For 27-speed control by variation of voltages in windings
 - Equipped with a 24 VAC transformer for remote control

■ OPTIONS

- | | |
|---|--|
| <ul style="list-style-type: none"> ■ Intake plenum with factory-fitted acoustic insulation ■ Intake plenum fitted in factory ■ 200 mm plug for blocking off a plenum shell ■ 100 mm fresh air sleeve, factory fitted ■ Foam insulation of condensate tray ■ EU3 metal filter system ■ EU2 metal filter system ■ Rectangular distribution or intake sleeve, factory fitted | <ul style="list-style-type: none"> ■ Condensate water pump ■ Wide range of BMS kits ■ Control kit comprising controller, valve and return sensor ■ Ambient conditions sensor ■ Electrical resistance heater |
|---|--|

LC 3 → 9 kW

□ GENERAL DATA

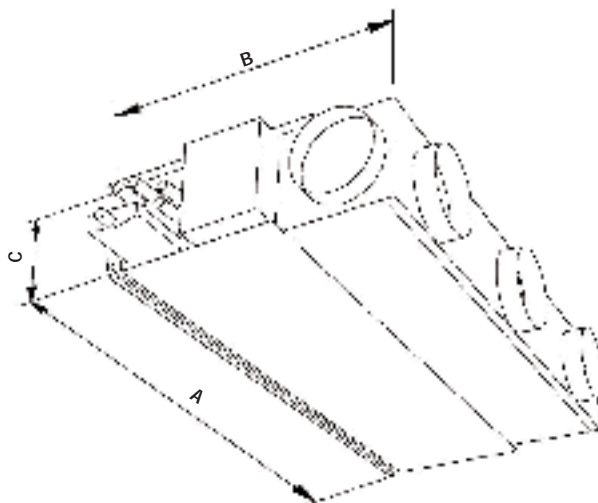
QUANTUM LC	LC	22	31	45	60	76
3 rows version						
Cooling capacity ⁽¹⁾	kW	3	4	6	7	9
Sensible capacity	kW	2	2,9	4,2	5,2	6,5
Chilled water flow	m ³ /h	0,5	0,7	1,0	1,3	1,6
Pressure drop	kPa	20	16	16	18	21
4 rows version						
Cooling capacity ⁽¹⁾	kW	3	4,5	6,5	7,9	10
Sensible capacity	kW	2,1	3,1	4,6	5,6	7,1
1 row auxiliary coil						
Heating capacity ⁽²⁾	kW	3	4	5	6	8
Hot water flow	m ³ /h	0,2	0,3	0,4	0,5	0,7
Pressure drop	kPa	1,4	2,1	3,7	5,1	10,7
Electrical heater						
Capacity	kW	1,5	2	2	2,5	4
Ventilation						
Airflow	m ³ /h	430	830	1020	1425	1760
Available static pressure at nominal air flow	Pa	30	30	30	30	30
Sound power level	dB(A)	37	38	39	46	43
Electrical data						
Voltage				230/1/50		
Motor power input	W	66	118	144	187	252
Nominal current	A	0,33	0,62	0,77	0,9	1,24

(1) Cooling: Water inlet temperature: 7°C; water outlet temperature: 12°C; air inlet temperature: 27°C D.B. - -19°C W.B.

(2) Heating: Water inlet temperature: 50°C; water flow rate as in cooling mode; air inlet temperature: 20°C

□ PHYSICAL DATA

1



QUANTUM LC	LC	22	31	45	60	76
View		1	1	1	1	1
A	mm	710	910	1280	1460	1900
B	mm	665	665	665	665	665
C	mm	235	235	235	235	235
Weight	kg	30	39	49	54	73



**BELGIUM,
LUXEMBOURG :** LENNOX BENELUX N.V./S.A.
tel. : + 32 3 633 30 45
fax : + 32 3 633 00 89
e-mail : info.be@lennoxbenelux.com

CZECH REPUBLIC : JANKA LENNOX a.s.
tel. : + 420 2 510 88 111
fax : + 420 2 579 10 393
e-mail : janka@janka.cz

FRANCE : LENNOX FRANCE
tel. : + 33 1 64 76 23 23
fax : + 33 1 64 76 35 75
e-mail : marketing.france@lennoxfrance.com

GERMANY : LENNOX DEUTSCHLAND GmbH
tel. : + 49 69 42 09790
fax : + 49 69 42 09 79 40
e-mail : info.de@lennoxdeutschland.com

NETHERLANDS : LENNOX BENELUX B.V.
tel. : + 31 33 2471 800
fax : + 31 33 2459 220
e-mail : info@lennoxbenelux.com

POLAND : LENNOX POLSKA Sp. z o.o.
tel. : + 48 22 832 26 61
fax : + 48 22 832 26 62
e-mail : info@lennoxpolska.pl

PORTUGAL : LENNOX PORTUGAL LDA.
tel. : +351 22 998 33 70
fax : +351 22 998 33 79
e-mail : info@lennoxportugal.com

RUSSIA : LENNOX DISTRIBUTION MOSCOW
tel. : + 7 095 246 07 46
fax : + 7 502 933 29 55
e-mail : lennox.dist.moscow@netmaster.ru

SLOVAKIA : LENNOX SLOVENSKO s.r.o.
tel. : + 421 2 44 87 19 27
fax : + 421 2 44 88 64 72
e-mail : lennox.slovensko@lennox.sk

SPAIN : LENNOX REFAC S.A.
tel. : + 34 915 40 18 10
fax : + 34 915 42 84 04
e-mail : marketing@lennox-refac.com

UKRAINE : LENNOX DISTRIBUTION KIEV
tel. : + 380 44 213 14 21
fax : + 380 44 213 14 21
e-mail : jankauk@uct.kiev.ua

**UNITED KINGDOM ,
IRELAND :** LENNOX INDUSTRIES LTD
tel. : + 44 1604 599400
fax : + 44 1604 594200
e-mail : ukmarketing@lennoxind.com

**OTHER EUROPEAN COUNTRIES,
AFRICA,
MIDDLE-EAST :** LENNOX DISTRIBUTION
tel. : + 33 4 72 23 20 14
fax : + 33 4 72 23 20 28
e-mail : marketing@lennoxdist.com



LENNOX®

www.lennox europe.com